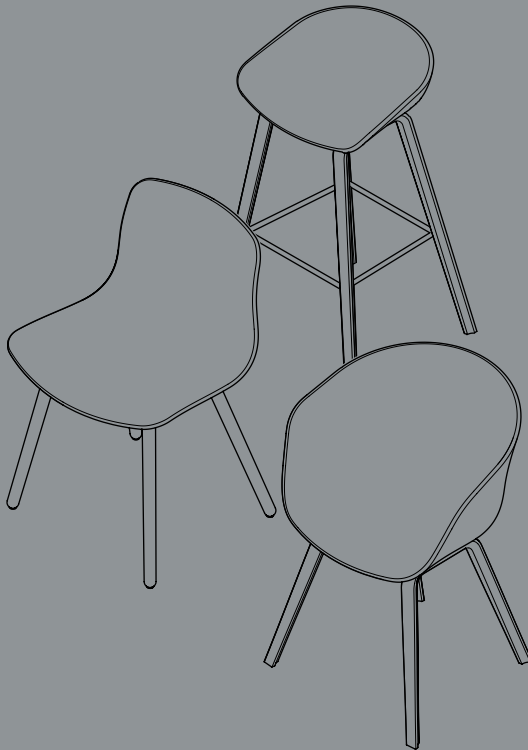


- INSTRUCTION MANUAL -

AAC ECO

AAC 12 ECO / AAC 22 ECO / AAS 32 ECO



DESIGN BY HEE WELLING & HAY

HAY

With the objective of recreating HAY's iconic AAC chair and stools from a more sustainable perspective, the About A Chair ECO series focuses on using environmentally friendly materials whilst retaining the fundamental mission of creating a connected family of chairs based around one simple, strong idea. Available in a variety of interchangeable frames and shells, the AAC ECO 12, 22 and AAS ECO 32 models use recycled plastic (PP) for the gently curved shell, while the wooden base is available in solid FSC-certified oak with a water-based lacquer. All chairs and stools in the ECO series are EU Ecolabelled as a sign of environmental commitment.

PLASTIC (POLYPROPYLENE)

Wipe with a clean cloth wrung in water or in a solution of water and a neutral detergent. Remove soap residue immediately using a clean, dry cloth. Avoid using scouring cream or scouring pads, as they may scratch the surface. Do not use cleaning products containing alcohol, as they may damage the surface.

WATER-BASED LACQUERED WOOD

Wipe with a clean cloth wrung in water or in a solution of water and a neutral detergent. Remove soap residue immediately using a clean, dry cloth. If the surface is scratched or appears matt, use a care product specifically suited to lacquered or stained wood. Avoid using detergents containing silicone, as they seal the stain in and make subsequent repairs more difficult. Avoid using scouring cream or scouring pads, as they may scratch the surface.

A SUSTAINABLE APPROACH.

We recognize that our actions have an environmental impact, and we take our responsibility to contribute to a greener future seriously. With all of our products, we focus on finding the balance between creating a healthy working environment, striving toward social responsibility, and pursuing environmentally friendly production methods. Above all, we strive to ensure sustainability in every step of our furniture production processes and are dedicated to complying with legal and social demands, ethical standards, and international norms.

The About A Collection, which is distinguished first and foremost by its modular nature, embodies this ethos. Its versatility is reflected in the production process. Because of the collection's interchangeable parts and easy-to-assemble-and-disassemble profile, we are able to mix and match frames, shells, and bases to produce almost limitless combinations. This enables us to streamline the supply chain and create a more efficient and less wasteful production setup, using fewer moulds and fewer parts by recycling them again and again.

RECYCLING AND DISSASSEMBLY

The AAC Eco chair or stool are designed to be long-lasting furniture and we hope your product will serve you for many years. The chair is 100% recyclable and all parts can be fully separated and recycled. Metal, wood and plastic parts can be delivered to a suitable recycling facility.

WARRANTY

HAY provides a 5-year warranty, which covers materials and/or workmanship on furniture base or upholstery. The warranty covers faults which were present at the time of purchase, or which have occurred as a result of manufacturing defects. The warranty is valid from the date on the original invoice.

TEST AND DECLARATIONS

The ACC ECO series has passed the EN 16139 L2 Furniture – Strength, durability and safety - Requirements for non-domestic seating. L2: Extreme use – Loading according to Test severity L2.

CERTIFICATIONS



The EU-Ecolabel is the official European ecolabel.



Made from FSC® certified and other controlled materials.

MATERIALS

SHELL / Mix of recycled and virgin polypropylene (5 PP)

AAC 12 ECO BASE / Solid wood in oak

AAC 22 ECO BASE / Moulded plywood. Inner plywood in beech, top veneer in oak

AAS 32 ECO BASE / Moulded plywood. Inner plywood in beech, top veneer in oak

BASE TREATMENT / Water-based lacquer

GLIDERS / Polyethylene

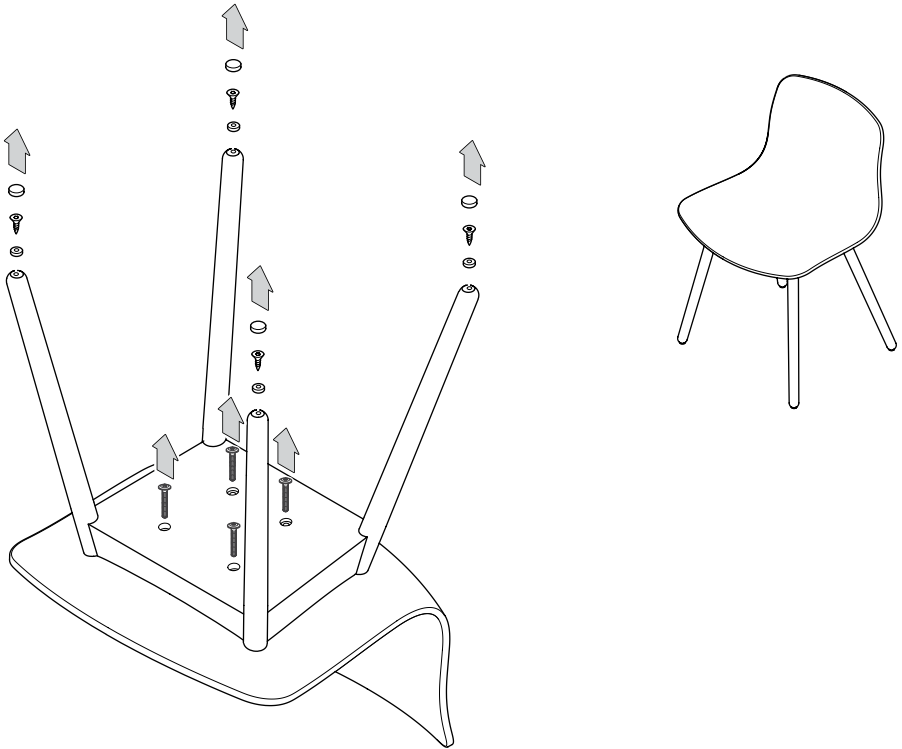
FOOTREST / Stainless steel

FITTINGS / Steel

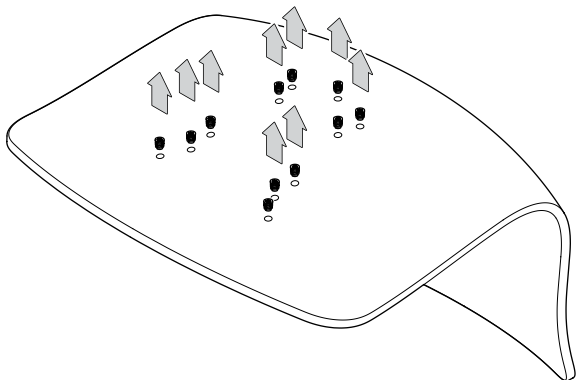
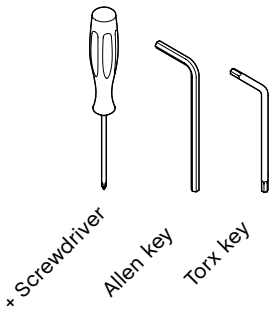
OPTIONAL SPARE PARTS / Felt or soft felt gliders

RECYCLING AND DISASSEMBLY – AAC 12 ECO

Turn the chair upside down and remove all the bushings from the bottom of the seat. Remove the gliders from the legs. Then separate the base from the seat.

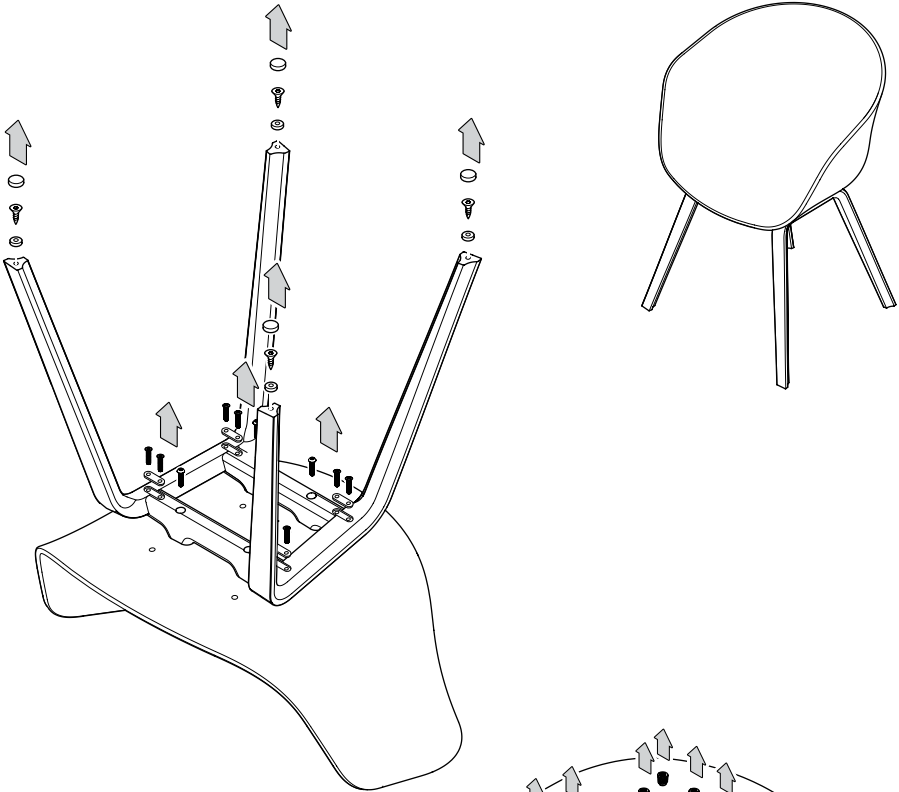


TOOLS REQUIRED

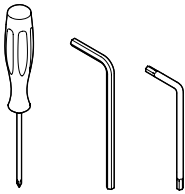


RECYCLING AND DISASSEMBLY - AAC 22 ECO

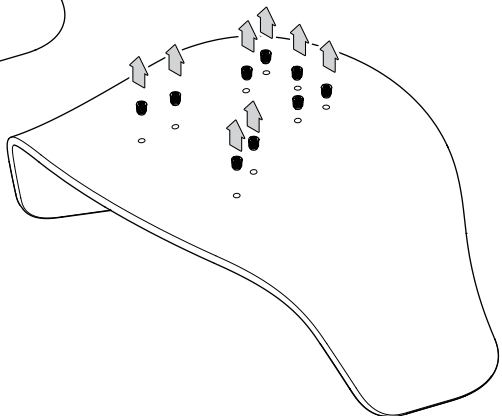
Turn the chair upside down and remove all the bushings from the bottom of the seat. Remove the gliders from the legs. Then separate the base from the seat.



TOOLS REQUIRED

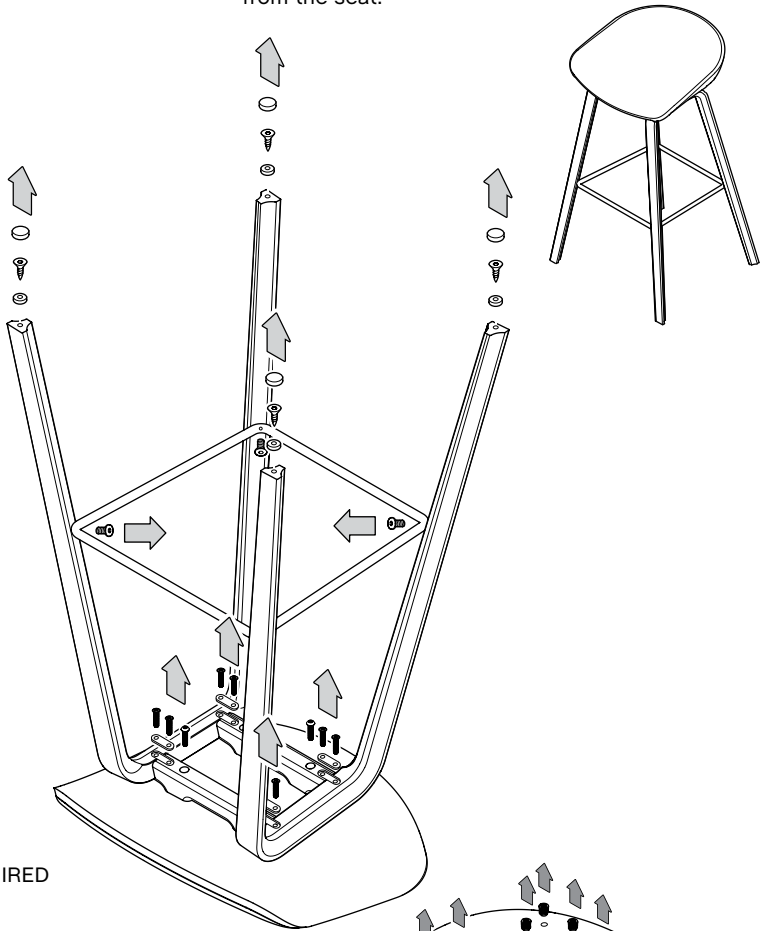


+ Screwdriver
Allen key
Torx key

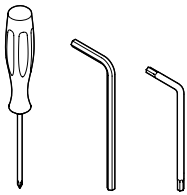


RECYCLING AND DISASSEMBLY – AAS 32 ECO

Turn the chair upside down and remove all the bushings from the bottom of the seat. Remove the gliders and the footrest from the legs. Then separate the base from the seat.



TOOLS REQUIRED



+ Screwdriver

Allen key

Torx key

Havnen 1 8700 Horsens Denmark
+45 4282 0282 / hay@hay.com

28/04/20

HAY